

**12**  
VOLT

GATE OPERATOR

**ZIP** 12

For gate leaves up to 3,5 m  
Opening time 8 sec.



**650ZIP12**

DC electromechanical gate operator.  
Maximum gate leaf 3,5 m

**Features:**

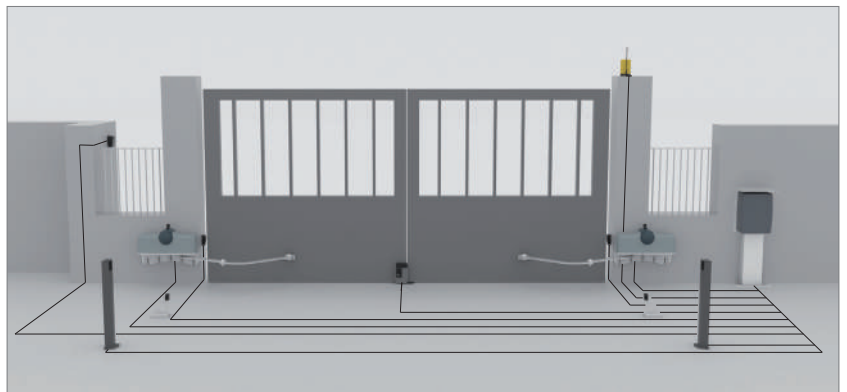
- residential / apartment building use
- for gates leaves up to 3,5 m
- low voltage DC gate operator
- optical encoder technology
- electromechanical motor
- built-in limit switch

**Pros:**

- ideal for big posts
- obstacle detection and crush prevention
- in accordance with EN 12445-12453 standards
- works even during power outage thanks to the optional backup battery
- fast operating speed
- intensive use, ideal for use on apartment buildings and public entrances
- self-adjusting gate stroke through optical encoder

**Technical features**

	<b>ZIP12</b>
Power supply	230 V AC (50 - 60 Hz)
Motor power supply	18 V DC
Open circuit voltage	1 A
Power rating	250 W
Opening time 90°	8 sec.
Duty cycle	100 %
Max. torque	416 Nm
Operating temperature	-20° C ÷ +55° C
Motor thermal protection	-
Degree of protection	IP 44



The above represented installation does not include safety devices such as safety edges. Their addition depends upon the risk assessment made on any installation in accordance with EN 12445-12453 standards.



### Accessories



**700BAP**  
Gate stopper for heavy leaves



**700BAP2**  
Gate stopper wall/floor mount



**700BAP1**  
Gate stopper for light leaves



**650ESV1-2**  
Electric lock (1 = left hand opening – 2 = right hand opening)



**700GS5**  
Weatherproof cable connector for 5-core 12 V cable



**C-TARG**  
Aluminium CE Mark Label, self adhesive



**650BRCE2**  
Straight arm with driving track



**750D749MA**  
Electronic control unit for one or two DC gate operators with encoder, complete with 433,92 Mhz rolling code radio receiver, battery charger, transformer and enclosure



**M-030KITKB20**  
Battery cables kit (20 pcs)



**200BATT**  
12 Volt Battery, 7,2 Ah



**M-030000CC50**  
Multicore cable (2 x 2.5 sq.mm + 3 x 0.5 sq.mm)



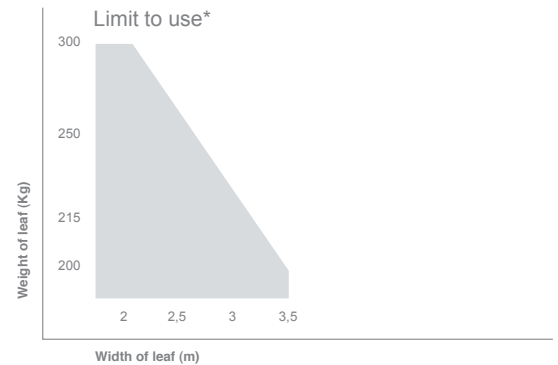
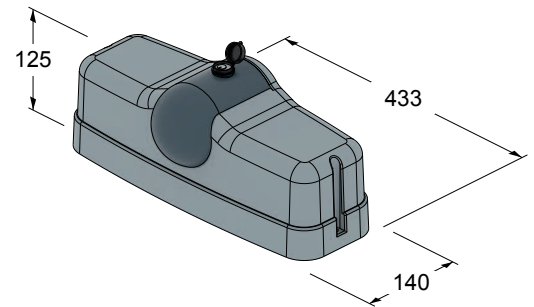
**250SM126**  
Memory card for 126 radio codes



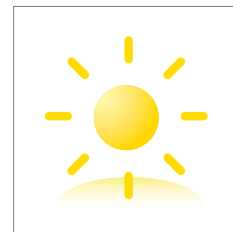
**250SM254**  
Memory card for 254 radio codes



**250SM1022**  
Memory card for 1022 radio codes



\*They refer to leaves with openings and not totally closed panels.



**Solar power**  
Thanks to the Photovoltaic (PV) Technology, every low voltage DC gate operator can be solar powered. Discover the advantages of the solar energy at page 140



**Further accessories:**  
Transmitters page 120  
Photocells page 120  
Flashing lights page 129

Use only M-030000CC50 cable or equivalent